

Current part is item (3) on diagram. Available at www.oshkoshequipment.com

(1) SMR Code	(2) Federal Stock Number	DESCRIPTION	UNIT of meas	(4) Qty inc. in Unit	30-day DS maint allowance			30-day GS maint allowance			1-yr alw per 100 equip cnt- gcy	Depot maint alw per 100 equip	Illustration	
					(a) 1-20	(b) 21-50	(c) 51-100	(a) 1-20	(b) 21-50	(c) 51-100			(a) Figure No.	(b) Item No.
		Reference Number & Mfr. Code												
PAFZZ	4730-044-4667	PLUG,PIPE: HOUSING OIL PORT 444667 (19207)	EA	1	*	*	*	*	*	*	*	*	13	8
PAFZZ	5340-178-1348	BUSHING,MACHINE THREAD:HOUSING 10935624 (19207)	EA	2	*	*	*	*	*	*	*	*	13	9
PAFZZ	5310-761-6882	NUT,PLAIN,HEXAGON: COVER TO HOUSING MTG MS51967-2 (96906)	EA	12	*	*	*	*	*	*	*	*	13	10
PAFZZ	5310-682-5930	WASHER, LOCK: COVER TO HOUSING MTG MS35340-44 (96906)	EA	12	*	*	*	*	*	*	*	*	13	11
PAFZZ	2815-179-5530	COVER,ACCESS: OIL COOLER 10899046 (19207)	EA	1	*	*	*	*	*	*	*	*	13	12
PAFFZ	2930-860-2334	RADIATOR, OIL COOLER: 7748885 (19207)	EA	1	*	*	*	*	*	*	*	*	13	13
PAFZZ	5306-087-7529	BOLT,MACHINE: HOUSING TO CRANKCASE MTG 10912505 (19207)	EA	1	*	*	*	*	*	*	*	*	13	14
PAFZZ	5310-080-6004	WASHER,FLAT: HOUSING TO CRANKCASE MTG MS27183-14 (96906)	EA	17	*	*	*	*	*	*	*	*	13	15
PAFZZ	2815-860-2331	PLUNGER, OIL PRESSURE, REGULATRO: COOLER AND FILTER 7748970 (19207)	EA	2	*	*	*	*	*	*	*	*	13	16
PAFZZ	2815-851-4567	SPRING,HELICAL,COMPRESSION: OIL PRESSURE PLUNGER,COOLER AND FILTER 10889878 (19207)	EA	2	*	*	*	*	*	*	*	*	13	17
PAFZZ	5330-834-2912	GASKET: PLUNGER PLUGS, COOLER AND FILTER MS35769-18 (96906)	EA	2	*	*	*	*	*	*	*	*	13	18
PAFZZ	5365-472-1926	PLUG, MACHINE THREAD: PLUNGER, COOLER AND FILTER 7748969 (19207)	EA	2	*	*	*	*	*	*	*	*	13	19
PAFZZ	5305-269-3210	SCREW, CAP, HEXAGON HEAD: HOUSING TO CRANKCASE MS90725-59 (96906)	EA	16	*	*	*	*	*	*	*	*	13	20
PAFZZ	5307-912-5635	0108-MANIFOLDS STUD,PLAIN:EXHAUST MANIFOLD MTG 10935517 (19207)	EA	12	*	*	*	*	*	*	*	*	14	1
PAFZZ	2815-860-0566	MANIFOLD,EXHAUST,ENGINE: REAR SECTION 104889760 (19207)	EA	1	*	*	*	*	*	*	*	*	14	2
PAFZZ	2815-899-6726	SEAL RING, METAL: EXHAUST MANIFOLD 104889757 (19207)	EA	6	*	*	*	*	*	*	*	*	14	3
PAFZZ	2815-074-8916	MANIFOLD,EXHAUST,ENGINE: CENTER SECTION 10935238 (19207)	EA	1	*	*	*	*	*	*	*	*	14	4
PAFZZ	5307-067-4895	STUD, PLAIN: MANIFOLD TO TURBOSUPPER- CHARGER 10935241 (19207)	EA	4	*	*	*	*	*	*	*	*	14	5
PAFZZ	2815-860-0565	MANIFOLD,ENGINE,EXHAUST: FRONT SECTION 10889758 (19207)	EA	1	*	*	*	*	*	*	*	*	14	6
PAFZZ	4730-044-4655	PLUG,PIPE: FRONT AND REAR SECTIONS 444655 (24617)	EA	2	*	*	*	*	*	*	*	*	14	7
PAFZZ	5310-998-7385	NUT,SELF-LOCKING,HEXAGON: MANIFOLDS MTG 11609973 (19207)	EA	12	*	*	*	*	*	*	*	*	14	8



Current part is item (3) on diagram. Available at www.oshkoshequipment.com

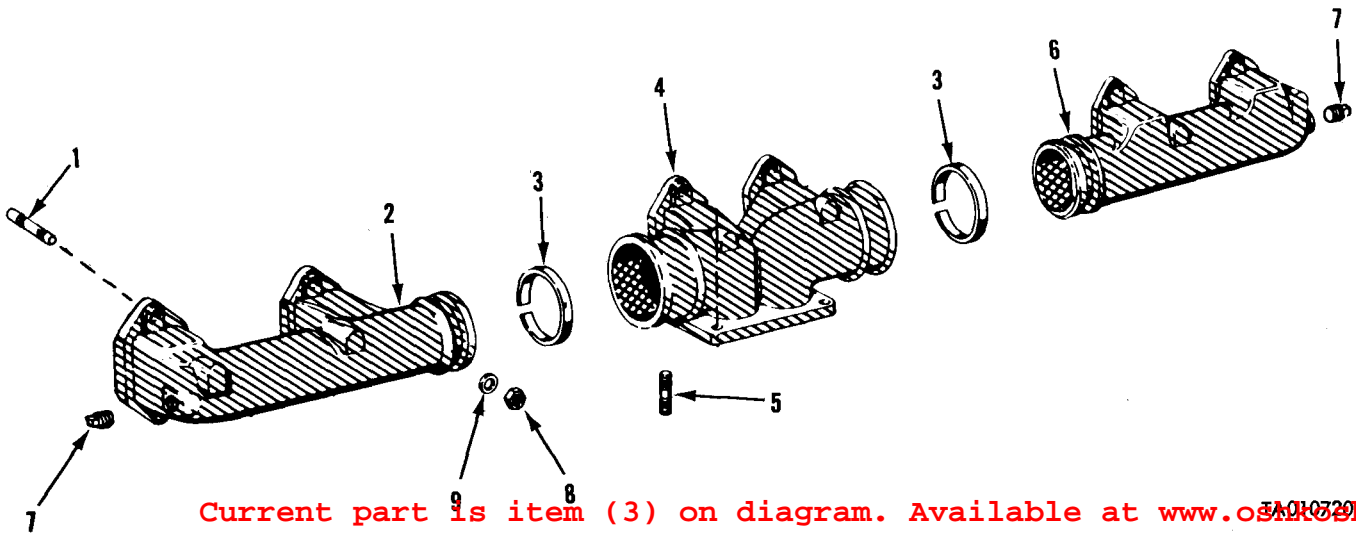
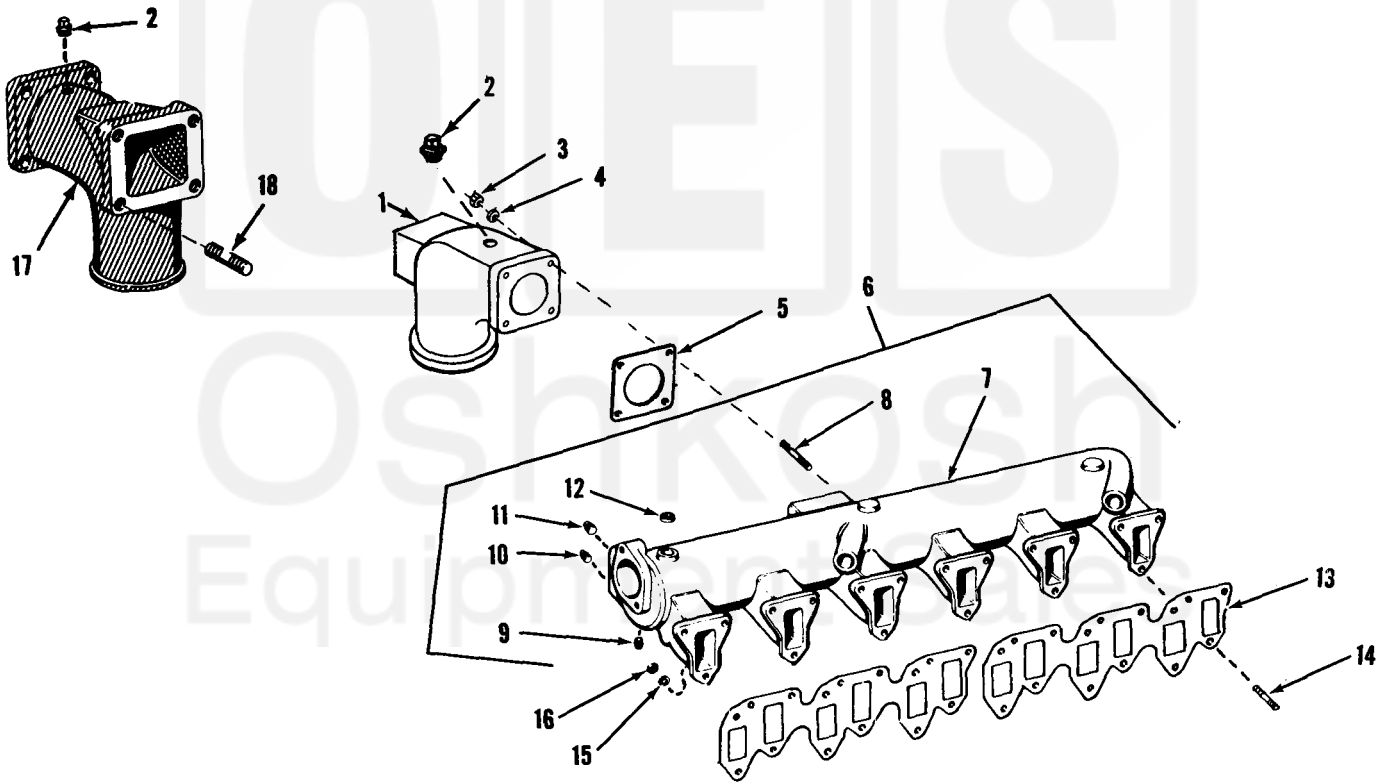


Figure 14. Exhaust Manifold, Exploded View.



TA010721

Figure 15. Intake Manifold and Associated Parts.